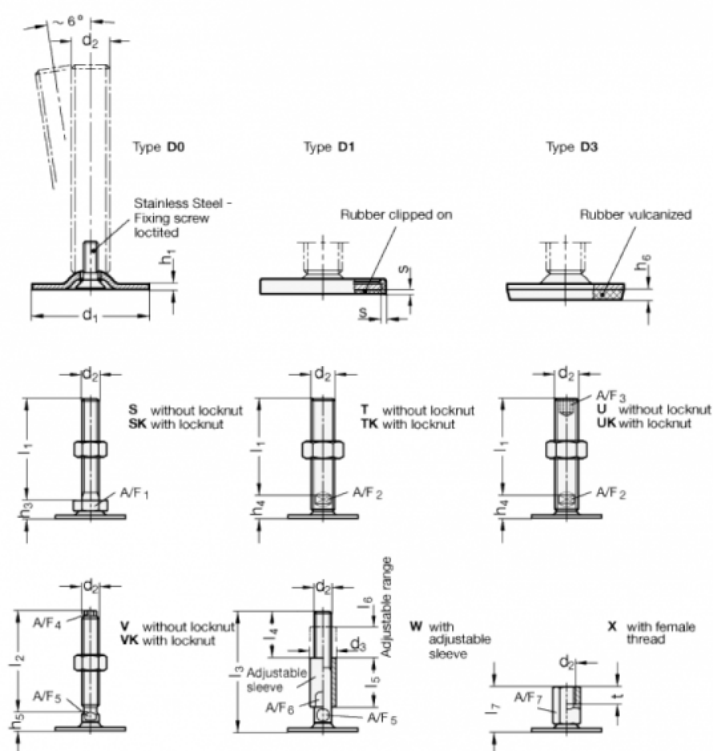


Article number: 204150M16100D3TK
 Description: E+G levelling foot
 GN 41-50-M16-100-D3-TK
 Note: TK With nut, Wrench flat at the bottom

Measures



A/F2 = 12
 d1 = 50
 d2 = M16
 h1 = 2.5
 h4 = 17
 h6 = 4
 l1 = 100
 s =